



THE BETTER CHOICE. SINCE 1948.
German quality sprayers and cut-off machines

Marketing Bulletin
MB # 462

458 HEAVY-DUTY PROFESSIONAL ALL-PURPOSE SPRAYER

Designed for applying degreasers, waterproofing, plant protection chemicals, pest control solutions, and many other compounds.



- Equipped with all Viton® seals for superior chemical resistance.
- Large base for added stability which can accommodate the wheel set and handle (accessory kit, part # 49211).
- High-density polyethylene (HDPE) tank with ultra-violet inhibitors; will not dent, crack, or corrode.
- 48" nylon-reinforced hose for extended reach.
- Large piston pump pressurizes the sprayer as much as 50% faster than the competition.
- Automatic pressure relief valve releases pressure at 45 psi and may be used to release pressure manually when desired.
- 28" unbreakable wand and commercial shut-off valve assembly.
- Four nozzles included: 1) 0.4 GPM brass 80° flat fan 2) plastic adjustable 3) jet stream 4) hollow cone.
- No-drip check valve eliminates nozzle drip after pressure is released.
- 4.5" opening allows easy filling and thorough cleaning.
- Extra large pump handle with built-in wand retainer for convenient carrying and pumping.
- Commercial shut-off valve with lock-on/lock-off feature reduces user fatigue.
- 1-year commercial warranty against defects in material and workmanship.

Model #	UPC # 720 343	Capacity	Wand	Pump	Hose	Nozzles	Weight	Carton Size	Cubic Feet	Pallet Quantity
458-HD	458 01 5	3 gal	20" plastic	Piston	48"	4-nozzle included	7.9 lbs	27" x 9.25" x 9"	1.3	60



5100 Chestnut Avenue • Newport News, VA 23605 • Phone: (757) 245-4228 • Fax: (757) 245-0800
www.us.solo.global

THE INSIDE STORY

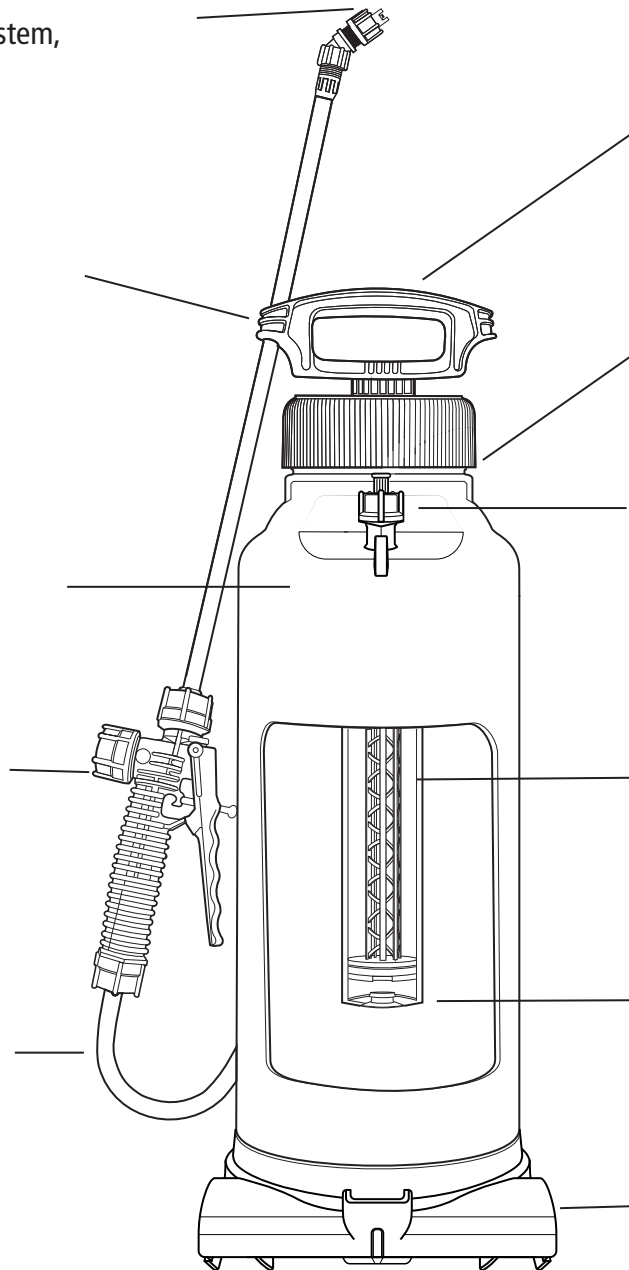
Interchangeable nozzle system,
TeeJet® compatible

Built-in retainer for
convenient wand storage

UV resistant, high
strength HDPE tank

Commercial quality shut-
off valve with Viton®
seals for convenience &
durability

48" chemical resistant
nylon-reinforced high
pressure hose



Large carry/pump handle for
easier pumping and carrying

Large easy fill 4.5" opening

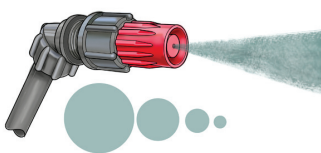
Automatic relief valve vents
excess pressure at 45 psi

High efficiency pump
with Viton® O-ring makes
pressurizing fast & easy

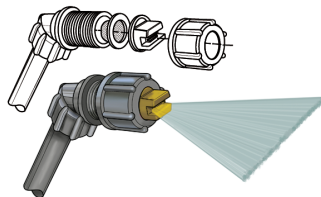
Durable and chemical resistant
Viton® umbrella valve

Large base for added stability
which can accommodate
the wheel set and handle
(accessory kit, part # 49211)

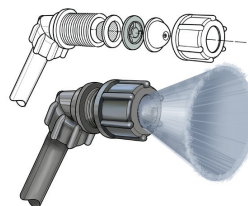
Chemical resistant Viton® seals in all locations withstand harsh chemicals for long service and durability. Includes 4 nozzles to meet virtually every spraying need. Accepts TeeJet® nozzle tips.



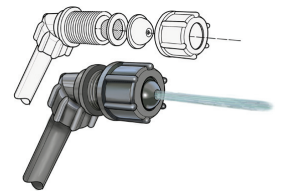
Adjustable Nozzle



Fan Spray



Hollow Cone



Jet Stream

solo®

5100 Chestnut Avenue • Newport News, VA 23605 • Phone: (757) 245-4228 • Fax: (757) 245-0800
www.us.solo.global