



US9407CI12 (09-13)

Operator's Manual & Parts List Contractor Industrial Sprayers: 407CI and 487CI

STOP!

If you are missing parts, instructions or have questions, **DO NOT** take this unit back to the store. Call 1-800-SOLO-INC. Solo will send the missing parts/information to you promptly.

WARRANTY:

Solo model 407-CI and 487-CI sprayers are covered by Solo's 1-YEAR LIMITED WARRANTY. Solo manufactured parts which fail due to defective material or workmanship will be repaired or replaced without charge. See page 6 for full details.

SAFETY PRECAUTIONS:

- Solo's Contractor Industrial Sprayers are manufactured for specific chemical applications. Failure to use these sprayers for the purposes and with the chemicals intended could be harmful to the operator and cause the sprayer to fail.
- Before adding chemicals, fill the unit with clean water, pressurize and check for proper assembly and operation. **CHECK PROPER OPERATION OF PRESSURE RELIEF VALVE PRIOR TO EACH USE!!**
- Do not exceed 45 psi pressure.
- Observe the recommendations of the chemical manufacturer.
- Prior to removing any part of the sprayer pull the pressure relief valve to release any pressure in the tank.
- Wear rubber gloves, safety goggles and appropriate protective clothing.
- After pumping be sure handle is in the locked down position.
- Individuals should be trained in the proper use of this sprayer. Where training is not available, individuals should study and follow the procedures detailed in this manual.



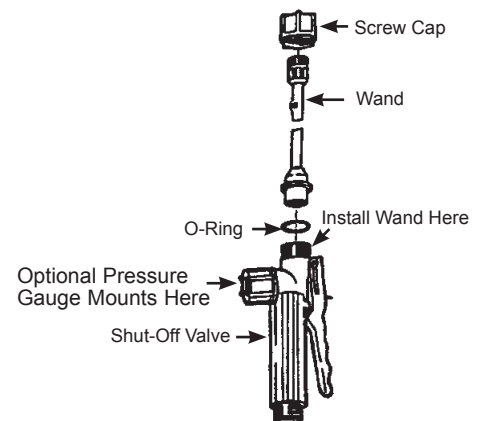
WARNING:

Chemicals can be harmful to individuals and the environment if improperly used. In addition, some chemicals are caustic, corrosive, or poisonous and should be avoided. Read warnings and chemical manufacturer's instructions. Solo high density polyethylene sprayers are fitted with chemically resistant seals which are matched to the specific chemicals used in the Contractor-Industrial trades; however, care should be exercised to ensure that sprayer components are clean, functioning properly, and in a good state of repair before and during use. If in doubt about a particular chemical, check with manufacturer. If you suspect or observe indications that the material may be unsafe in a Solo sprayer... **STOP! Do Not Use or Apply Chemical. ALWAYS WEAR RUBBER GLOVES, SAFETY GOGGLES AND APPROPRIATE PROTECTIVE CLOTHING.**

- Read and follow operating instructions.
- Do not fill sprayer over maximum fill mark. Releasing pressure in an overfill condition can cause harmful venting of sprayer contents.
- Relieve pressure only with sprayer upright and while standing on the side of the sprayer opposite the pressure relief valve. Venting of sprayer contents can occur if liquid is over bottom of relief valve.
- CAUTION: To prevent injury from ejected pump assembly and/or solution, never stand with face or body over the top of the tank when pumping, or loosening pump.
- Do not modify sprayer or pressure relief valve.
- Never spray in the direction of humans, animals or property which might be injured or damaged by spray formula.
- Do not use liquids with a temperature above 120°F (45°C).
- Remember that a sprayer with liquid is a significant amount of weight (8 lbs. per gallon). Use caution when bending, leaning or walking. Bend only at the knees and support yourself as required to ensure personal safety.
- Do not inflate sprayer without liquid in the tank.
- Do not climb on ladders or other unsteady or potentially unsafe structures when operating your sprayer.

ASSEMBLY INSTRUCTIONS FOR WAND

1. Ensure that the O-ring is on the non-threaded end of the wand.
2. Insert the non-threaded end of the wand into the open end of the shut-off valve.
3. Tighten the screw cap.



CUSTOMER SERVICE COMMITMENT FROM SOLO'S SERVICE DEPARTMENT

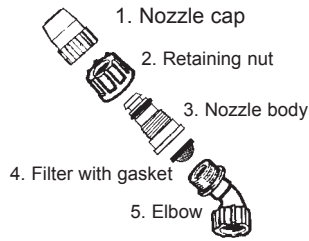
In the event the sprayer you have purchased has missing or damaged parts, please call 1-800-765-6462, 9:00 AM—5:00 PM EST. In order to assist your service representative, please have the following information available: sprayer model number, part description and part number. A parts list is included in your operator's manual.

Solo is committed to your satisfaction and is continuing its efforts to earn your future business.

Visit us on the web at www.solousa.com
Troubleshooting and parts ordering available online.

USING THE ADJUSTABLE NOZZLE

To change the spraying pattern, first make sure the retaining nut (2) is screwed tight to the elbow (5). If it is not tight, the nozzle cap (1) and nozzle body (3) will rotate inside the retaining nut and the nozzle will not adjust. For a straight stream pattern, rotate the nozzle cap outward. For a hollow cone pattern, rotate the nozzle cap inward towards the retaining nut. If it becomes difficult to rotate the nozzle cap, remove the nozzle cap from the nozzle body and lubricate the O-ring on the nozzle body with a non-water soluble grease*.



REMOVING ADJUSTABLE NOZZLE

Unscrew the nozzle cap (1) from the nozzle body (3). This is best accomplished while the retaining nut (2) is securely fastened to the elbow (5). Next, unscrew the retaining nut (2). Push the nozzle body (3) out of the retaining nut (2). To re-install the nozzle, reverse the above instructions, see "Spray Tip Assembly".

OPERATION:

- Before using sprayer with chemicals, fill sprayer with fresh water to assure that you have it properly assembled; pressurize and then practice spraying. When thoroughly familiar with sprayer operation, follow normal operating procedures.
- Turn pump handle counter clockwise to remove pump.
- Fill tank with premixed formula up to desired level. (**Do not exceed maximum fill mark.**) Observe recommendations of chemical manufacturer.
- Tighten cap and pump assembly for a good seal.
- Pump to a maximum 45 psi or 3 bar pressure. The valve stem on the pressure relief valve will rise up to vent excess pressure over 45 psi.
- Start or stop spraying by squeezing or releasing the lever on the shut-off valve (3). The spray pressure can be monitored with an optional pressure gauge.
- Prior to every removal of pump (1), release pressure first by pulling up on the pressure relief valve stem (2).



CLEANING:

- Carefully clean sprayer after every use.
- Pour or spray all remaining chemical out of sprayer.
- Pour a small amount of water for water soluble chemicals, or mineral spirits for oil-based chemicals, into the tank.
- Pressurize and spray through system until all liquid is gone.
- Repeat process with warm soapy water.
- Repeat process with warm clear water.
- Use an absorbent cloth to dry all internal surfaces.
- Follow the recommendations of the chemical manufacturer for disposing of waste water and chemicals.
- Do not use aggressive or abrasive cleaning agents.

MAINTENANCE:

- Prior to storage, empty, clean and dry sprayer.
- Always store the sprayer in a dry area, protected from freezing, heat and sunlight.
- Lubricate O-ring in pressure relief valve with non-water soluble grease* on a regular basis.

Disassembly: Unscrew pressure relief valve from tank and pull the valve body out of the screw cap. Clean, lubricate, and replace.

- **Pump Maintenance:** Pump pressure sealing is accomplished with an O-ring (5) on the pump piston (4) which moves within the cylinder (3). Periodically this O-ring should be greased with a non-water soluble grease*. If worn, it should be replaced. A small umbrella valve (6) at the bottom of the cylinder prevents the formula from entering the cylinder. Keep these parts clean and replace if worn.

Disassembly: Unscrew pump assembly from tank. Carefully remove umbrella valve (6) from the bottom of cylinder (3). While holding cylinder firmly with one hand and the handle of the pump piston (4) firmly in the other, with the piston fully inserted in the cylinder, pull back on the piston quickly and forcefully. To re-assemble, place the piston assembly back into cylinder, place heel of hands on opposite sides of the tank cap, while keeping cylinder in place with fingers, tap bottom of cylinder against a flat padded surface. Assembly will lock into place.



- **Tank Cap:** A small amount of non-water soluble grease* on tank cap threads and the gasket eases tightening and loosening.
- **Regular Inspection:** Inspect and replace worn or damaged parts promptly. Pay particular attention to tank cap gasket, pressure relief valve and seal, inflation valve (if fitted), umbrella valve, O-rings and seals throughout sprayer. Regular lubrication of O-rings and seals is recommended.

OPERATING FEATURES:

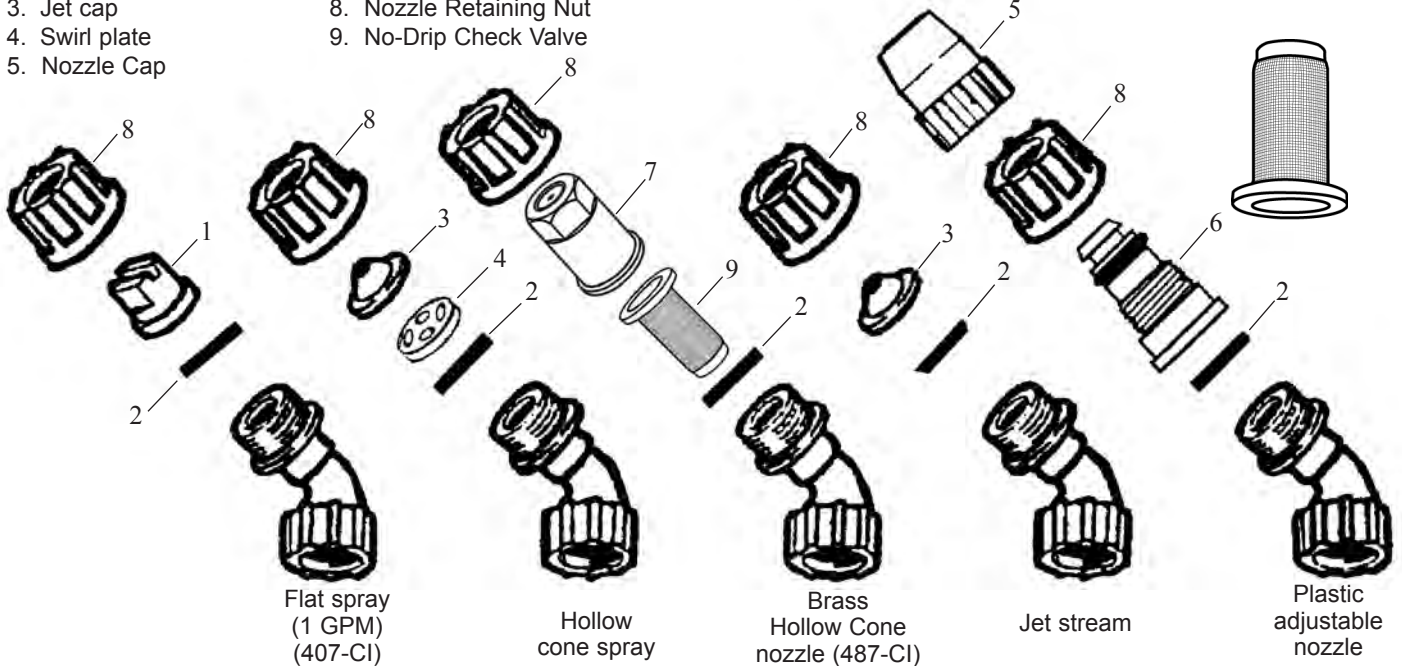
Nozzles - Your Solo 407-CI or Solo 487-CI sprayer comes equipped with specialized nozzles for specific applications. The 407-CI is primarily used for curing compounds with up to 33% solids and therefore does not have a filter. The 487-CI Acetone sprayer includes a no-drip check valve. Please review the Spray Tip Assembly section below for assembly instructions of the standard nozzles.

Spray tips should be assembled as follows for desired spray patterns.

SPRAY TIP ASSEMBLY

- 1. Flat spray nozzle (1GPM)
- 2. O-ring
- 3. Jet cap
- 4. Swirl plate
- 5. Nozzle Cap
- 6. Nozzle body
- 7. Brass Hollow Cone Nozzle
- 8. Nozzle Retaining Nut
- 9. No-Drip Check Valve

No-drip-check valve is standard on 487-CI model



In the best interest of continued technological progress, we reserve the right to change design and configuration of any product without prior or other notice. Therefore, please note that text and illustrations of this manual are not to be considered binding and do not constitute a basis for legal or other claims.

WILL THE PLASTIC MATERIAL LAST?

Only high-grade polyethylene is used. The material is chosen for high molecular weight, high-impact strength, and excellent resistance to chemicals and stress. Ultraviolet inhibitors are used in the material to reduce deterioration caused by sunlight.

HOW HEAVY IS THE UNIT?

Solo 3 Gallon Contractor Industrial sprayers weigh approximately 6 1/2 lbs empty.

WHAT SPRAY NOZZLE SHOULD I USE?

Standard on the 407-CI sprayer is a high volume (1GPM) flat spray nozzle. This nozzle will spray chemicals containing up to 33% solids and is perfect for spraying concrete curing compounds. Also included with the 407-CI is a .4 GPM flat spray nozzle, an adjustable nozzle, a jet stream nozzle and a hollow cone nozzle. Available as an

option is a no drip check valve (standard on the 487-CI) with a built-in check valve (27 00 316) which opens at 5 psi and closes at 4 psi. This virtually eliminates the dripping of fluid still contained in the spray wand. Standard on the 487-CI is a brass, 80 degree, .4GPM cone nozzle. Also included with the 487-CI is a brass 80 degree .2GPM cone nozzle, a brass 80 degree .5GPM flat spray nozzle and an adjustable nozzle.

CAN I DO SPOT SPRAYING?

The shut-off valve on the Solo sprayer is well suited for spot spraying. It's almost effortless! The shut-off valve handle incorporates a locking clip which holds the valve open for area spraying without tiring the operator's hand. A pressure gauge (part# 4900622) may be added with increments from 0 to 86 psi (0-6 Bar).

Note: Always wear rubber gloves, safety goggles and appropriate protective clothing when repairing a sprayer. Once a repair is completed, fill the unit with clean water, pressurize, and check for leaks. If the sprayer leaks, DO NOT USE. Repair leaks and re-check.

SERVICE AND REPAIR SECTION HANDHELD SPRAYER TROUBLESHOOTING GUIDE

| PROBLEM | CAUSE | SOLUTION |
|---|--|--|
| Difficulty in moving pump handle | <ul style="list-style-type: none"> dirty cylinder wall O-ring on piston swollen (not cleaned properly) | <ul style="list-style-type: none"> remove piston, clean, grease and replace replace O-ring, grease |
| Low pressure & resistance during pumping | <ul style="list-style-type: none"> No lube on piston/cylinder Chemical in cylinder Damaged O-ring in pressure relief valve worn or damaged O-ring in shut-off valve tank cap not tight | <ul style="list-style-type: none"> lubricate with heavy grease Replace umbrella valve replace O-ring replace O-ring tighten cap |
| Leaks from end of spray wand | <ul style="list-style-type: none"> worn or damaged O-ring in shut-off valve | <ul style="list-style-type: none"> rebuild shut-off valve |
| Leaks from inside cylinder | <ul style="list-style-type: none"> no lube on piston cylinder | <ul style="list-style-type: none"> lubricate piston, O-ring and cylinder |
| Leaks under cap | <ul style="list-style-type: none"> worn or damaged umbrella valve | <ul style="list-style-type: none"> replace umbrella valve at bottom of cylinder |
| Leaks from shut-off valve | <ul style="list-style-type: none"> damaged or missing gasket | <ul style="list-style-type: none"> replace gasket |
| Leaks from hose | <ul style="list-style-type: none"> screw cap not tight | <ul style="list-style-type: none"> tighten screw cap |
| Pressure relief valve sticks | <ul style="list-style-type: none"> worn, damaged or loose fittings, lack of lubrication | <ul style="list-style-type: none"> tighten fittings and replace worn parts, disassemble and lubricate O-rings |
| Air leak - air coming out between halves of the pump support | <ul style="list-style-type: none"> worn, damaged or loose fittings lack of lubrication or contaminated pressure relief valve assembly tank cap not tight gasket twisted or lacking lubrication tank lip damaged | <ul style="list-style-type: none"> tighten fittings and replace worn parts clean and lubricate pressure relief valve assembly tighten tank cap straighten gasket and lubricate with grease repair or replace tank |

ACCESSORIES:

The following accessories are not standard. Order them from your Solo dealer.



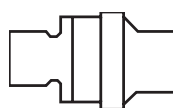
Pressure control gauge (#49 00 622): displays spraying pressure so operator can maintain desired pressure level.



Brass adjustable spray nozzle (#06 10 410-P): affords operator a full range of sprays from fine to jet stream.



Drift guard (#49 00 430): helps control application of formula under breezy conditions.

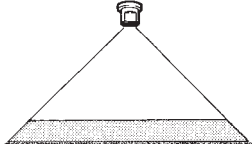
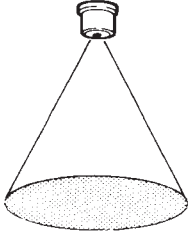
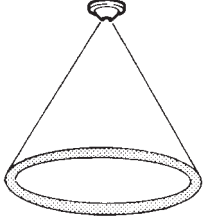


Controlled Flow Valve (CFValve™): Provides constant pressure and flow to the spray nozzle and can be used in various applications.
(Y3/8BSP - 15 psi)
(R3/8BSP - 21.7 psi)
(B3/8BSP - 29 psi)
(G3/8BSP - 43.5 psi)

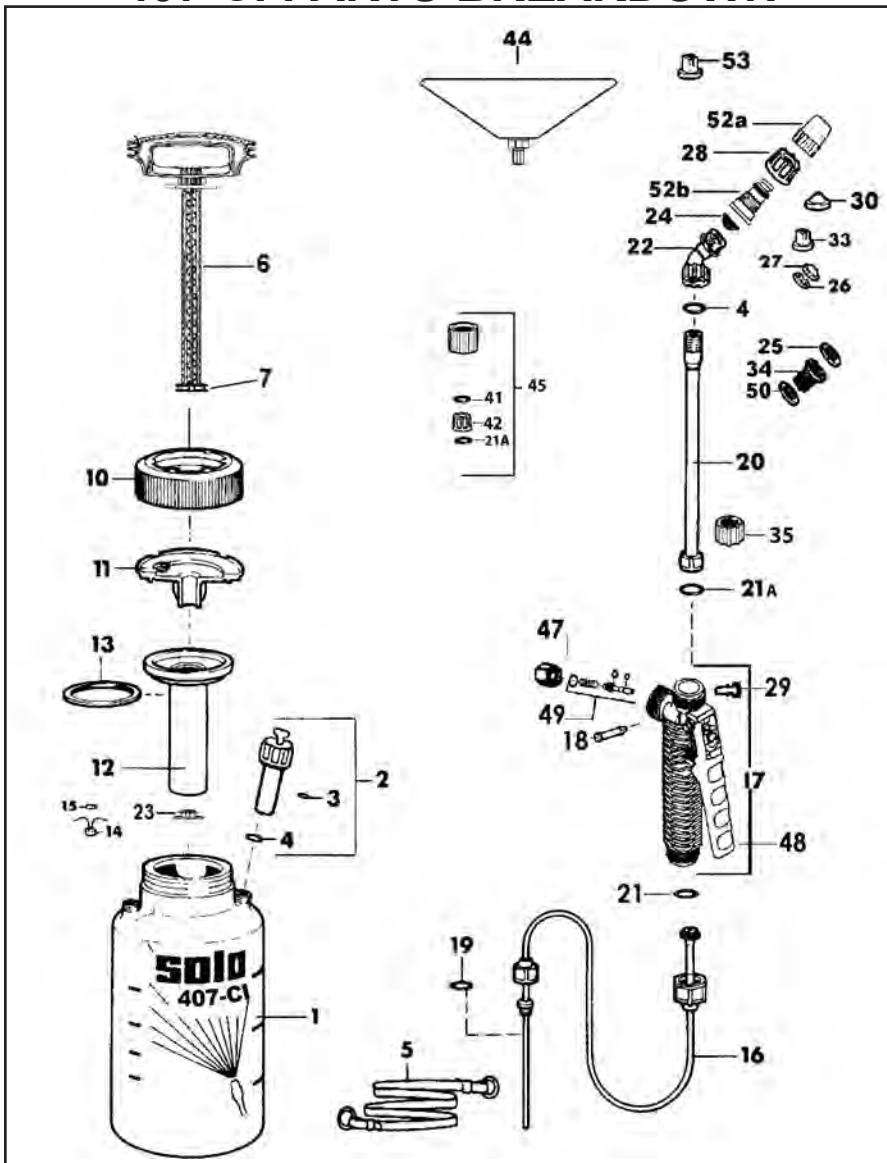


Brass spray wand (#49 00 528): The 2 pcs spray wand is 60" (150 cm) long and replaces the standard spray tube for treating up to heights of 16 ft. (5 meters). Additional extension tube available in 20" length (#49 00 513).

Nozzle Tip Specifications

| Description | Order number | Spray volume | | Pressure | | Angle | Applications |
|---|----------------------|---|---------------------------|--------------------------|----------------------|--------------------------------|---|
| | | 1/min | US gal /min | at atm | psi | | |
| Flat Spray nozzle | 10F110 4074263 | 3.75 0.88 1.25 1.53 | 1.00 .23 .33 .40 | 3.0 1.0 2.0 3.0 | 44 15 29 44 | 120° 120° 120° | Curing Compound, large area  |
| Flat spray nozzle -brass -plastic with stainless steel insert | CI-TP8005 0065132 | 0.78 0.64 0.78 | .50 .40 .50 | 3.0 2.0 3.0 | 44 29 44 | 80° 80° 80° | |
| Adjustable nozzle -brass -plastic | 4900207 4900527 | 1.53 0.76 | .40 .20 | 2.8 2.8 | 40 40 | Straight stream Hollow cone | adjustable spraying pattern |
| Full cone nozzle | CI-TX-26 |  | | | | 80° .4 GPM | high viscosity chemicals, acetones |
| Full cone nozzle | CI-TX-12 | | | | | 80° .2 GPM | high viscosity chemicals, acetones |
| Full cone nozzle | 0065214 | | | | | | game repellents |
| Hollow cone nozzle 1 mm orifice | 4900209 | 0.4 0.55 | .10 .15 | 1.0 2.0 | 15 29 | | high viscosity chemicals  |
| Hollow cone nozzle 1.4 mm orifice | 4900252 | 0.64 0.91 1.11 | .17 .24 .29 | 1.0 2.0 3.0 | 15 29 44 | 50° 65° 65° | |
| Hollow cone nozzle 1.8 mm orifice | 4900322* | 0.88 1.25 1.53 | .23 .33 .40 | 1.0 2.0 3.0 | 15 29 44 | 55° 70° 72° | |
| | | | | | | | |
| | | | | | | | |
| | | | | | | | |
| | | | | | | | |
| | | | | | | | |
| | | | | | | | |

407-CI PARTS BREAKDOWN



| Pos. No. | Order No. | For Model | Description |
|----------|-----------|-----------|-----------------------------------|
| 1 | 4071263 | 407-CI | Tank, 3 gallon |
| 2 | 4800185 | | Pressure relief valve Assy. |
| 3 | 0062166V | * | O-ring |
| 4 | 0062258V | * | O-ring |
| 5 | 4300245 | | Carrying strap |
| 6 | 4073835 | | Pump piston, solid |
| 7 | 0062264V | * | O-ring |
| 10 | 4073111 | | Tank cap, black |
| 11 | 4074387 | | Cylinder support (need 2) |
| 12 | 4073834 | | Cylinder (use with 0094308V) |
| 13 | 4061345V | * | Gasket |
| 16 | 4900515 | | Pressure hose, Assy. |
| 17 | 4800170 | | Shut-off valve, Assy. |
| 18 | 4074295 | | Pin retaining |
| 19 | 0062144V | * | O-ring |
| 20 | 4900230 | | Wand, Assy. (inc. 35 & 21A) |
| 21 | 0062271V | | O-ring |
| 21A | 0062258V | | O-ring |
| 22 | 4074527 | | Elbow |
| 23 | 0094308V | * | Umbrella valve |
| 26 | 4074756 | | Swirl plate |
| 27 | 4074758 | | Jet cap tip |
| 28 | 4074148 | | Retaining nut |
| 29 | 4074329 | | Lock clip |
| 33 | 10F110 | | Flat spray nozzle (1Gpm) |
| 47 | 4074263 | | Flat Spray Nozzle |
| 48 | 4074336 | | Retaining nut |
| 48 | 4074335 | | Lever |
| 52 | 4900527 | | Plastic adj. nozzle (incl. a & b) |

Accessories

| Pos. No. | Order No. | For Model | Description |
|----------|-----------|-----------|---------------------------|
| - | 4900407-K | | Pump repair kit (Viton) |
| 25 | 0062106V | HD | O-ring |
| 30 | 4074726 | | Hollow cone nozzle |
| 34 | 2700316 | HD | No drip check valve |
| 35 | 4074337 | | Retaining nut |
| 41 | 0062249V | | O-ring |
| 42 | 4074338 | | Retaining nut |
| 44 | 4900430 | | Drift guard |
| 45 | 4900622 | | Pressure gauge Assy. |
| 49 | 0610402-K | | Shut-off Valve Repair Kit |
| 50 | 0062115V | HD | O-ring |
| 53 | 0065210 | HD | Brass flat spray nozzle |

* Pump repair kit

Prices and technical specifications are subject to change without notice.

SOLO LIMITED WARRANTY

Solo Incorporated guarantees the original purchaser of Solo equipment, that any failure of Solo manufactured parts due to defects in material and workmanship occurring during the applicable warranty period will be repaired or replaced without charge for parts or labor, except for those items not covered by warranty.

CONSUMER LIMITED WARRANTY: Solo equipment purchased for consumer use is covered by this Limited Warranty for a period of ONE (1) YEAR.

COMMERCIAL LIMITED WARRANTY: Solo equipment purchased for commercial use is covered by this Limited Warranty for a period of ONE (1) YEAR.

OPERATOR'S OBLIGATION AND RESPONSIBILITY: proof of purchase must be provided by the owner in order to obtain warranty service. Should any failure covered by this Limited Warranty occur, deliver or ship the Solo products or parts to an authorized Solo service center. Freight, packing and insurance costs, if any, will be borne by the owner. Follow normal maintenance service to include applicable lubrication, operation and storage of the product as explained in the operator's manual.



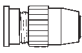






ITEMS NOT COVERED BY WARRANTY: provisions of the Limited Warranty will not apply to the following: Any indirect or consequential damages that may result from the failure or malfunction of the Solo product. Normal service requirements arising during the warranty period, such as cleaning, normal wear, lubrication, filter, spray tips, etc. Normal service work over and above the repair or replacement of defective parts. Any failure that results from an accident, customer abuse, normal wear, neglect or failure to operate the product in accordance with the instructions provided in the operator's manual or provided with the product. When an alteration or modification has been performed on a Solo product, Solo is responsible only for products as originally furnished by Solo, provided the alterations or modifications do not adversely affect the product's operation, performance or durability. Parts or accessories that are incompatible with the product are not approved for use by Solo.

Full disclosure of Solo's Limited Warranty is available from your local Solo dealer or Solo Incorporated, 5100 Chestnut Avenue, Newport News, Virginia 23605.

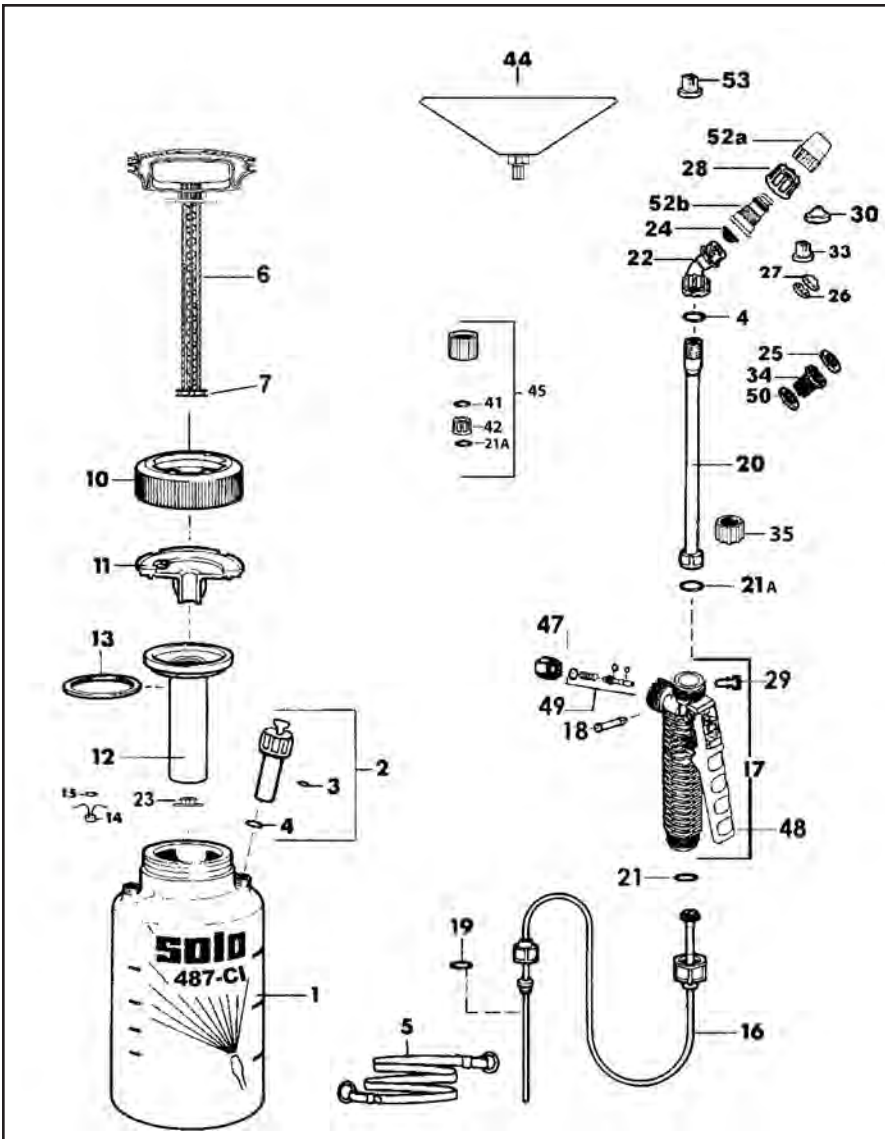
This Limited Warranty gives you specific legal rights and you may also have other rights which vary from state to state.



Order parts and accessories from your Solo dealer. If there is no local dealer, use this form to order from Solo.

| Item Names/Description | Part No. | Retail Price | Qty. | Total |
|---|-----------------|--------------|------|-----------|
| Nozzles | | | | |
|  Flat spray nozzle - surface area & row treatment | 40 74 263 | 2.00 | | |
| Jet cap | 40 74 755 | 1.50 | | |
| Swirl plate | 40 74 756 | 1.50 | | |
| Filter - standard | 40 74 283 | 2.55 | | |
| Sprayer elbow and nozzle assortment | 06 10 408-P | 14.95 | | |
| No-drift wide angle flat nozzles - .60 GPM | 40 74 513 | 2.50 | | |
| mainly for spraying herbicides at low pressure. .30 GPM | 40 74 514 | 2.50 | | |
| At 15 psi they deliver: .24 GPM | 40 74 386 | 2.50 | | |
| .12 GPM | 40 74 385 | 2.50 | | |
|  Elbow nozzle assembly | 49 00 258N | 6.35 | | |
| Double spray nozzle - for double row application spraying in two directions simultaneously. | 49 00 477 | 29.95 | | |
| Brass adjustable spray nozzle kit - with filter and screw cap for tree spraying (from fine misting to a jet stream). | 06 10 410-P | 8.75 | | |
|  Brass adjustable spray nozzle (same nozzle as kit above) | 49 00 207 | 6.25 | | |
| Plastic adjustable nozzle | 49 00 527 | 4.25 | | |
| Hollow cone nozzles - for shrubs & bushes: 1.4 mm | 49 00 252 | 2.85 | | |
| 1.8 mm | 49 00 322 | 2.85 | | |
| Jet stream nozzle | 40 74 758 | 2.70 | | |
|  Foam spray nozzle - for low drift & water saving application of herbicides which tend to foam. | 49 00 397 | 14.95 | | |
| No drip check valve - prevents spray tip from leaking when not in use. | 27 00 316 | 4.95 | | |
| Nozzle assortment - includes flat, hollow cone, no drift, and plastic adjustable nozzles. | 06 10 456-P | 12.95 | | |
| Extension tubes and spray wands | | | | |
| 6" bendable spray wand | 49 00 450 | 21.95 | | |
| 20" spray wand | 49 00 230 | 9.95 | | |
| 20" extension tube | 49 00 513 | 16.95 | | |
| 21" stainless steel wand | 49 00 645-P | 11.95 | | |
| 20" brass spray wand | 49 00 421 | 12.95 | | |
| 27" spray wand | 49 00 319 | 13.95 | | |
| 40" brass telescoping wand | 49 00 478 | 34.95 | | |
| 48" carbon fiber wand | 49 00 449 | 39.95 | | |
| 60" brass spray wand | 49 00 528 | 34.95 | | |
| 4' to 8' Carbon Fiber Wand | 49 00 445 | 79.95 | | |
| Note: extension tubes attach to wands to extend length. Spray wands attach to shut-off valve only. | | | | |
| Spray booms | | | | |
|  Spray booms - spray 2 or 4 rows at once with: 2-nozzle spray boom - handheld (total width 33") distance between nozzles 24". Includes 2 flat spray nozzles | 49 00 514 | 34.95 | | |
| 4-nozzle spray boom - mounts on rear of sprayer (total width 49 3/4"; distance between nozzles 16"). Includes 4 hollow cone nozzles. | 49 00 298 | 99.90 | | |
| Specialty items | | | | |
| Solo Superior grease | 9850-P | 2.95 | | |
|  Pressure gauge kits - indicates spray pressure. Use with shut-off valve 4800170. Fits all models. | 49 00 622 | 29.95 | | |
|  Drift guard - complete control for herbicide applications in berry, flower, vegetable, cotton & other applications. | 49 00 430 | 16.95 | | |
|  Shut-off valve | 48 00 170 | 15.95 | | |
| Shut-off valve, wand & elbow nozzle assy. | 49 00 170N | 19.95 | | |
|  Pump repair kit - contains original equipment O-rings to renew all sealing surfaces on 454, 456, 457 sprayers | 49 00 405-K | 5.95 | | |
| Shut-off valve and wand repair kit | 0610411-K | 9.95 | | |
| Sprayer Service DVD | 998SPDVD | 9.95 | | |
| 407-CI, 487-CI Operator's Manual, Spare Parts List | US9407CI12 | NC | | NC |
| Prices and technical specifications are subject to change without notice. | SUBTOTAL | | | \$ |

487-CI PARTS BREAKDOWN



| Pos. No. | Order No. | For Model | Description |
|----------|-----------|-----------|-----------------------------------|
| 1 | 4071263 | 487-CI | Tank, 3 gallon |
| 2 | 4800186 | | Pressure relief valve assy. |
| 3 | 0062365 | * | O-ring |
| 4 | 0062363 | * | O-ring |
| 5 | 4300245 | | Carrying strap |
| 6 | 4073835 | | Pump piston, solid |
| 7 | 0062369 | * | O-ring |
| 10 | 4073111 | | Tank cap, black |
| 11 | 4074387 | | Cylinder support (need 2) |
| 12 | 4073834 | | Cylinder (use with 0094352) |
| 13 | 4061347 | * | Gasket |
| 16 | 4900571 | 487-CI | Pressure hose, assy. |
| 17 | 4800245 | | Shut-off valve, assy. |
| 18 | 4074295 | | Pin retaining |
| 19 | 0062371 | * | O-ring |
| 20 | 4900421 | | Brass Wand, assy. (inc. 35&21A) |
| 21 | 0062364 | * | O-ring |
| 21A | 0062363 | * | O-ring |
| 22 | 4074527 | * | Elbow |
| 23 | 0094352 | * | Umbrella valve |
| 27 | CI-TX-12 | | Hollow Cone Nozzle .2Gpm |
| 28 | 4074148 | | Retaining nut |
| 29 | 4074329 | | Lock clip |
| 30 | CI-TX-26 | | Hollow Cone Nozzle .4Gpm |
| 33 | CI-TP8005 | | Flat Spray Nozzle .5Gpm |
| 34 | 2700316 | | No Drip Check Valve |
| 35 | 4074337 | | Retaining Nut |
| 47 | 4074336 | | Retaining nut |
| 48 | 4074335 | | Lever |
| 50 | 0062368 | * | O-ring |
| 52 | 4900527 | | Plastic adj. nozzle (incl. a & b) |

Accessories

| Pos. No. | Order No. | For Model | Description |
|----------|-----------|-----------|---------------------------|
| - | 4900406-K | | Sprayer repair kit 487-CI |
| 44 | 4900430 | | Drift guard |
| 45 | 4900622 | | Pressure gauge assy. |
| 52 | 4900207 | | Brass Adjustable Nozzle |
| 53 | 0065210 | | Brass flat spray nozzle |

* Included in Sprayer repair kit 4900406-K

Prices and technical specifications are subject to change without notice.

Mail or Fax to: Solo • 5100 Chestnut Avenue
Newport News, VA 23605 • Phone: (757) 245-4228 • Fax: (757) 245-0800
Order Online: www.solousa.com E-mail: solo@solousa.com

Please do not send cash with this order. Make check or money order payable to Solo Incorporated. You may request C.O.D. shipment. Please call for current C.O.D. charges.

Form of Payment:

- Credit Card
 Check or Money Order
 C.O.D.



Credit Card Number _____

Expiration Date _____

Signature and Phone Number _____

We cannot process your credit card purchase without a signature and expiration date.

PLEASE PRINT:

Name _____

Address _____

City _____ State _____ Zip _____

| | |
|---|---------|
| Total from Previous Page | \$ |
| VA,NC,WA residents add applicable sales tax | \$ |
| Shipping | \$ 7.95 |
| Grand Total | \$ |
| Please allow 1-2 weeks for delivery | |

SOLO®

5100 Chestnut Avenue
Newport News, VA 23605