



THE BETTER CHOICE. SINCE 1948.  
German quality sprayers and cut-off machines

Marketing Bulletin  
MB # 460

## 458 PROFESSIONAL PRESSURE SPRAYER

This extremely heavy-duty sprayer will stand up to the toughest of jobs. Suitable for plant protection chemicals, pest control solutions and many other uses.



- Viton® seals in key locations for durability and safety with a wide variety of chemicals.
- Large base for added stability which can accommodate the wheel set and pull handle (accessory kit, part # 49211).
- High-density polyethylene (HDPE) tank with ultra-violet inhibitors; will not dent, crack, or corrode.
- 48" nylon-reinforced hose for extended reach.
- Large piston pump pressurizes the sprayer as much as 50% faster than the competition.
- Automatic pressure relief valve releases pressure at 45 psi and may be used to release pressure manually when desired.
- 28" unbreakable wand and commercial shut-off valve assembly.
- Four-nozzle assortment for multiple spraying tasks: adjustable, fan spray, hollow cone, and jet stream nozzles. Accepts TeeJet® type nozzles.
- 4.5" opening allows easy filling and thorough cleaning.
- Extra large pump handle with built-in wand retainer for convenient carrying and pumping.
- Commercial shut-off valve with lock-on/lock-off feature reduces user fatigue.
- 5-year commercial warranty against defects in material and workmanship.

Model #	UPC # 720 343	Capacity	Wand	Pump	Hose	Nozzles	Weight	Carton Size	Cubic Feet	Pallet Quantity
458	458 008	3 gal	20" plastic	Piston	48"	4-nozzle assortment	7.9 lbs	27" x 9.25" x 9"	1.3	60



5100 Chestnut Avenue • Newport News, VA 23605 • Phone: (757) 245-4228 • Fax: (757) 245-0800  
www.us.solo.global

# THE INSIDE STORY

Interchangeable nozzle system,  
TeeJet® compatible

Built-in retainer for convenient  
wand storage

UV resistant, high strength  
HDPE tank

Commercial quality shut-off  
valve with Viton® seals for  
convenience & durability

Chemical resistant nylon  
reinforced high-pressure hose

Large carry/pump handle for  
easier pumping and carrying

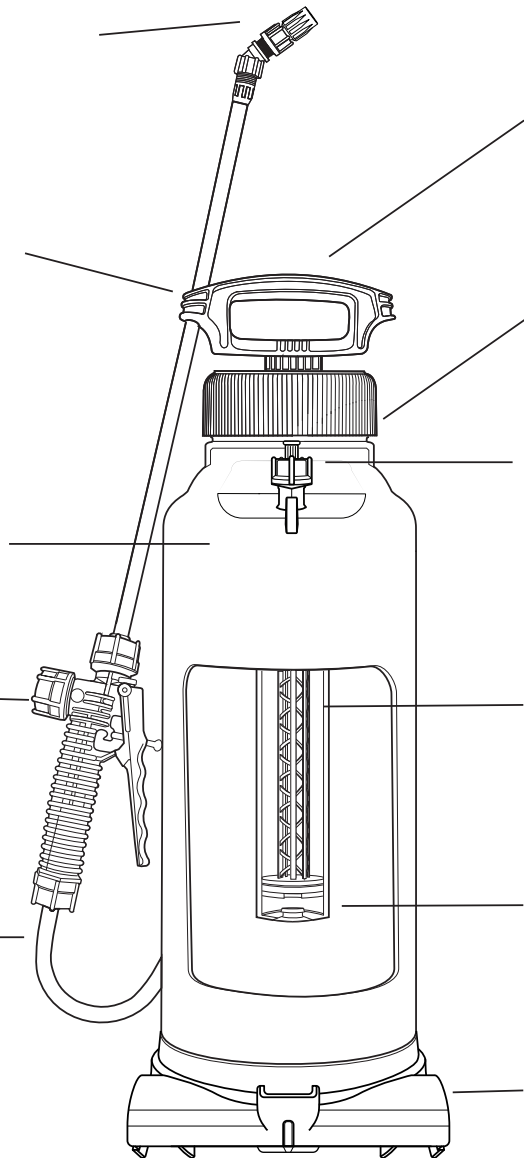
Large easy fill 4.5" opening

Automatic relief valve vents  
excess pressure at 45 psi

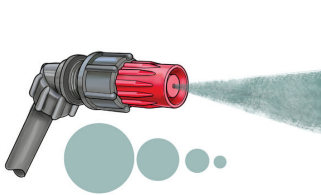
High efficiency pump with chemical  
resistant O-ring makes pressurizing  
fast & easy

Durable and chemical resistant  
Viton® umbrella valve

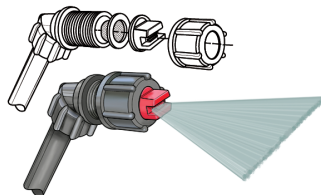
Large base for added stability  
which can accommodate the wheel  
set and handle (accessory kit,  
part # 49211)



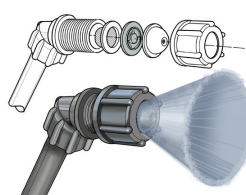
Chemical resistant Viton® seals in key locations withstand harsh chemicals for long service and durability. Includes 4 nozzles to meet virtually every spraying need. Accepts TeeJet® nozzle tips.



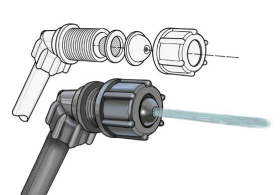
Adjustable Nozzle



Fan Spray



Hollow Cone



Jet Stream

**solo**

5100 Chestnut Avenue • Newport News, VA 23605 • Phone: (757) 245-4228 • Fax: (757) 245-0800  
www.us.solo.global