

454, 456, 458 PROFESSIONAL PRESSURE SPRAYERS

These extremely heavy-duty sprayers will stand up to the toughest of jobs. Suitable for plant protection chemicals, pest control solutions and many other uses.

FEATURES AND BENEFITS:

- Viton[®] seals in key locations for durability and safety with a wide variety of chemicals.
- Large base for added stability. 458 model can accommodate the wheel set and pull handle (accessory kit, part # 49211).
- High-density polyethylene (HDPE) tank with ultra-violet inhibitors; will not dent, crack, or corrode.
- 48" nylon-reinforced hose for extended reach.
- Large piston pump pressurizes the sprayer as much as 50% faster than competitive sprayers.
- Automatic pressure relief valve releases pressure at 45 psi and may be used to release pressure manually when desired.
- 28" unbreakable wand and commercial shut-off valve assembly.
- Four-nozzle assortment for multiple spraying tasks: plastic adjustable, fan spray, hollow cone, and jet stream nozzles. Accepts TeeJet[®] type nozzles.
- 4.5" opening allows easy filling and thorough cleaning.
- Extra large pump handle with built-in wand retainer for convenient carrying and pumping while wearing gloves.
- Commercial shut-off valve with lock-on/lock-off feature reduces user fatigue.
- 5-year commercial warranty against defects in material and workmanship.



Model #	UPC # 720 343	Capacity	Wand	Pump	Hose	Nozzles	Weight	Carton Size	Cubic Feet	Pallet Quantity
454	454 000	1.5 gal	20" plastic	Piston	48"	4-nozzle assortment	5 lbs	22.25" x 8.75" x 8.75"	0.99	80
456	456 004	2 gal	20" plastic	Piston	48"	4-nozzle assortment	6 lbs	22.25" x 8.75" x 8.75"	0.99	80
458	458 008	3 gal	20" plastic	Piston	48"	4-nozzle assortment	7.9 lbs	27" x 9" x 9"	1.27	60

THE INSIDE STORY

Interchangeable nozzle system, TeeJet® compatible

Built-in retainer for convenient wand storage

UV resistant, high strength HDPE tank

Commercial quality shut-off valve with Viton® seals for durability

4 feet of chemical-resistant nylon-reinforced high-pressure hose

Large carry/pump handle for easier pumping and carrying

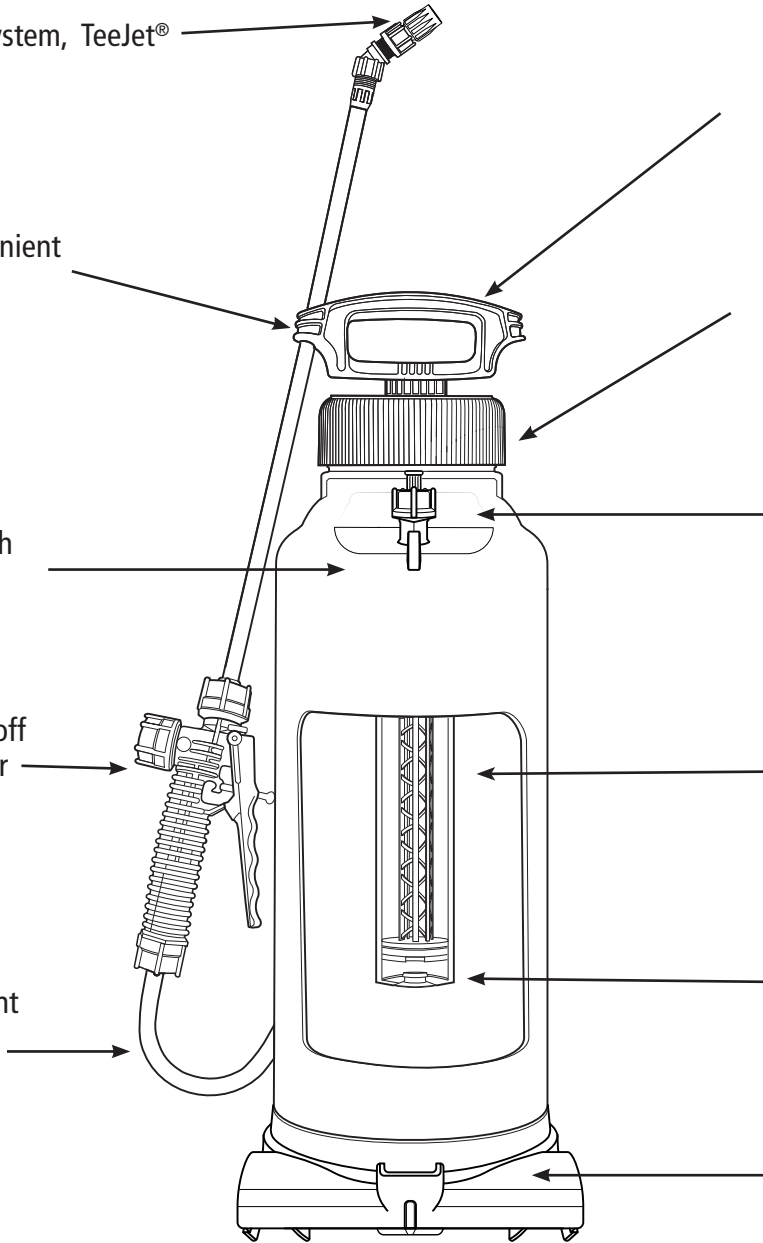
Large easy fill 4.5" opening

Automatic relief valve vents excess pressure at 45 psi

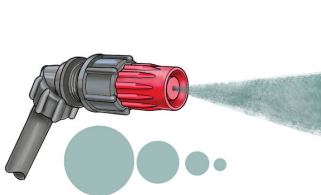
High efficiency pump makes pressurizing fast & easy

Durable and chemical-resistant Viton® umbrella valve

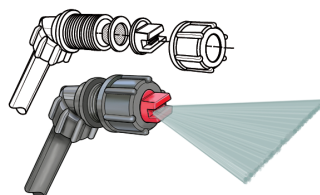
Large base for added stability. Model 458 can accommodate the wheel set and handle (accessory kit, part # 49211)



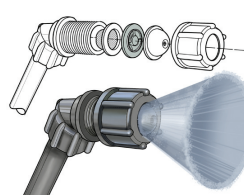
Chemical resistant Viton® seals in key locations withstand harsh chemicals for long service and durability. Includes 4 nozzles to meet virtually every spraying need. Accepts TeeJet® nozzle tips.



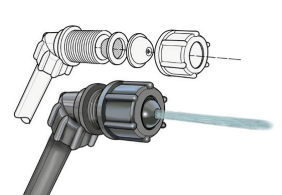
Adjustable Nozzle



Fan Spray



Hollow Cone



Jet Stream



201 Enterprise Drive • Newport News, VA 23603 • Phone: (757) 245-4228 • Fax: (757) 245-0800
www.us.solo.global